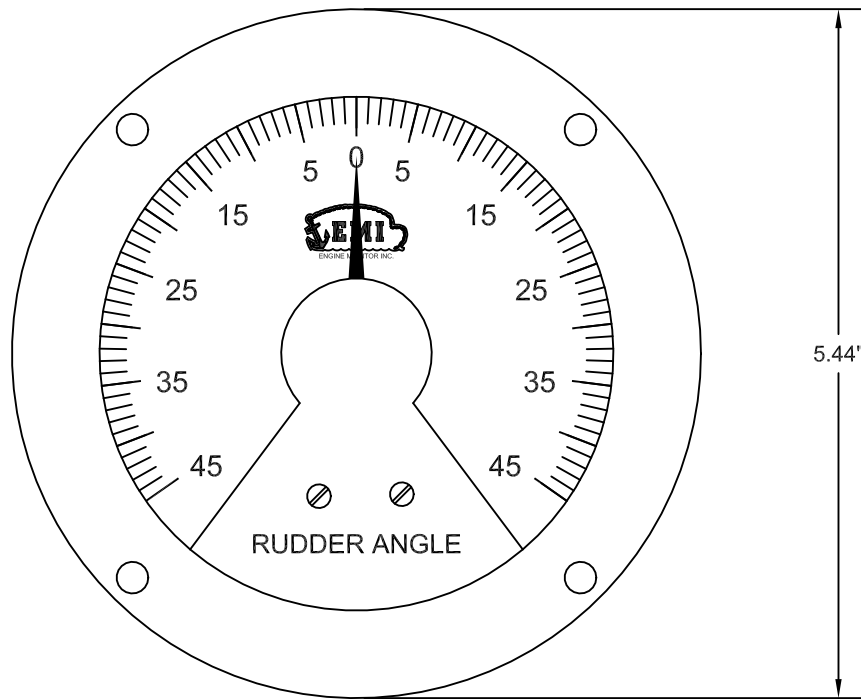


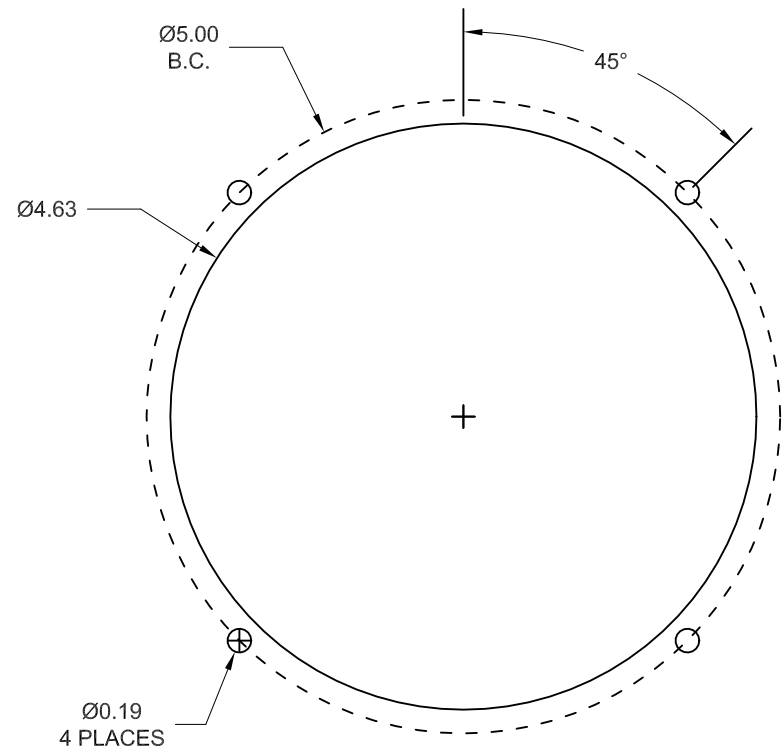
GENERAL NOTES

1. WEIGHT IS 2.4 LBS.



FRONT VIEW

ALLOW 4.5" PANEL DEPTH



CUT-OUT DIAGRAM