
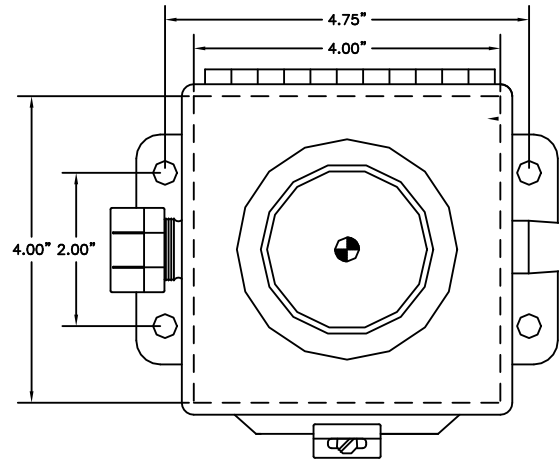
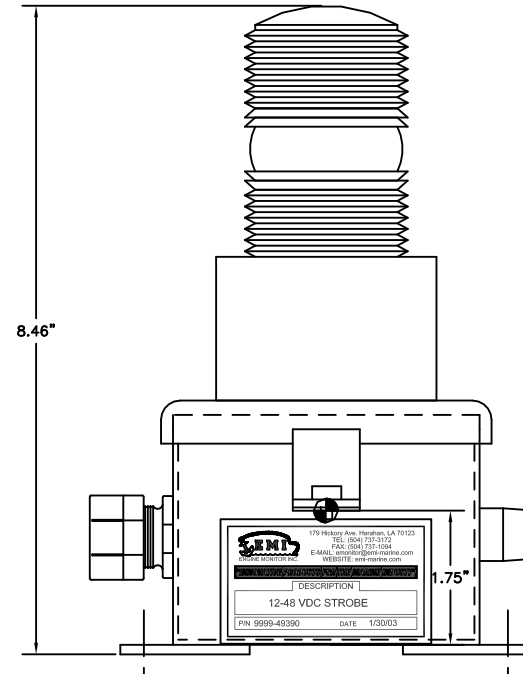


GENERAL NOTES

1. ADD LETTER TO PART NUMBER TO SPECIFY STROBE COLOR, FOR EXAMPLE 9999-49390R IS RED.
2. ASSEMBLY MEETS MIL-S-910CC, SAE J845, AND SAE J1318 REQUIREMENTS FOR CLASS 2.
3. AVAILABLE STROBE COLORS ARE BLUE, CLEAR, RED, GREEN AND AMBER.
4. STROBE MAY BE MOUNTED IN ANY POSITION.
5.  DENOTES CENTER OF GRAVITY.



TOP VIEW



FRONT VIEW

**EMI**  
ENGINE MONITOR, INC.  
191 JAMES DRIVE WEST  
SAINT ROSE, LA 70087

PHONE: (504) 620-9800  
FAX: (504) 620-9801  
E-MAIL: [emonitor@emi-marine.com](mailto:emonitor@emi-marine.com)  
WEBSITE: [www.emi-marine.com](http://www.emi-marine.com)

12-48VDC HIGH INTENSITY STROBE

DWG:

49390

DATE: 08/01/14 | SHEET 1 | REV: - | FILE: 49390

THIS DRAWING CONTAINS PROPRIETARY INFORMATION AND DESIGNS OWNED BY ENGINE MONITOR, INC. (E.M.I.). ALL DESIGNS, MANUFACTURING, REPRODUCTION, USE, PATENT RIGHT, AND SALES RIGHTS REGARDING THE SAME ARE EXPRESSLY RESERVED BY ENGINE MONITOR, INC.