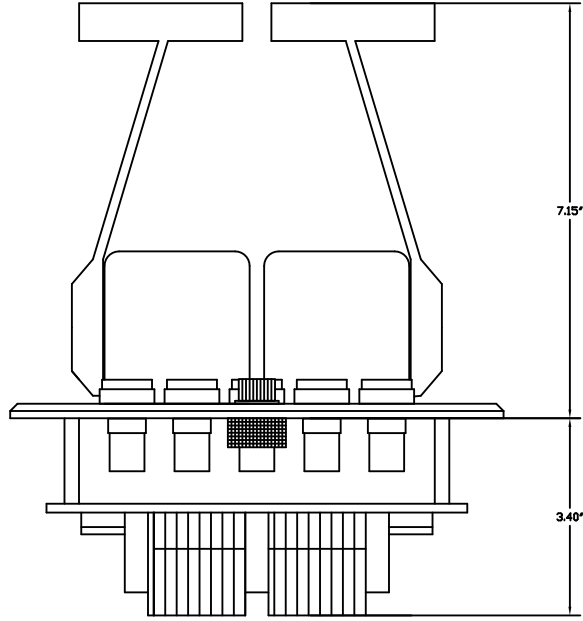
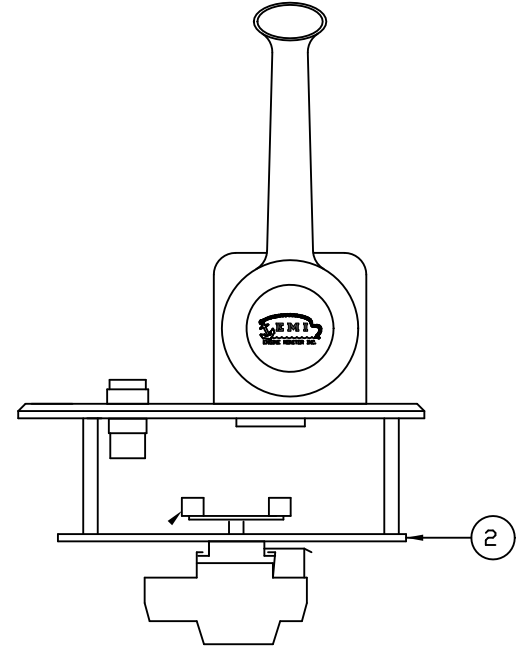


TOP VIEW



FRONT VIEW
WITHOUT PROTECTIVE PLATE



SIDE VIEW

THIS DRAWING CONTAINS PROPRIETARY INFORMATION AND DESIGNS OWNED BY ENGINE MONITOR INC. (E.M.I.). ALL DESIGNS, MANUFACTURING, REPRODUCTION, USE, PATENT RIGHTS, AND SALES RIGHTS REGARDING THE SAME ARE EXPRESSLY RESERVED BY ENGINE MONITOR INC.

DRAWN BY:	DATE	ENGINE MONITOR INC	
CHECKED:	DATE	SIZE: B	DWG NO: 0
APPROVED:	DATE	SCALE: NONE	