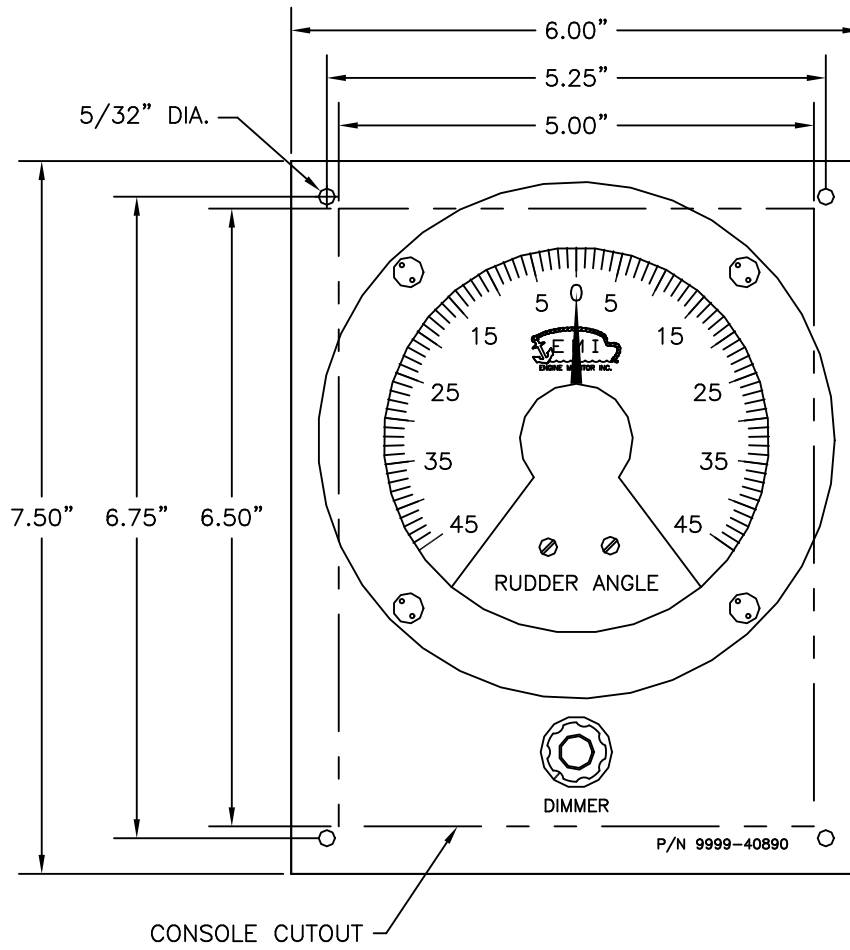
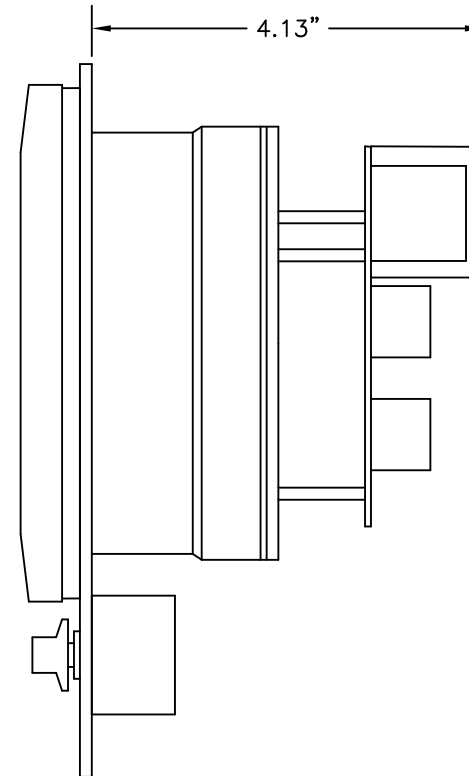


GENERAL NOTES

1. UNIT IS DIMABLE FOR PILOTHOUSE USE.
2. METER FACE MAY BE CONFIGURED TO SUIT ANY RUDDER ANGLE, STANDARD SCALE IS SHOWN.
3. UNIT REQUIRES 115VAC INPUT POWER AND A RUDDER FEEDBACK SIGNAL.



FRONT VIEW



SIDE VIEW

EMI
ENGINE MONITOR, INC.
179 HICKORY AVE.
HARAHAN, LA 70123

PHONE: (504) 737-3172
FAX: (504) 737-5576
E-MAIL: emonitor@emi-marine.com
WEBSITE: www.emi-marine.com

RUDDER ANGLE INDICATOR

DWG:

40890

DATE: 6/30/00 SHEET 1 REV:-- FILE: 40890

THIS DRAWING CONTAINS PROPRIETARY INFORMATION AND DESIGNS OWNED BY ENGINE MONITOR, INC. (E.M.I.). ALL DESIGNS, MANUFACTURING, REPRODUCTION, USE, PATENT RIGHT, AND SALES RIGHTS REGARDING THE SAME ARE EXPRESSLY RESERVED BY ENGINE MONITOR, INC.