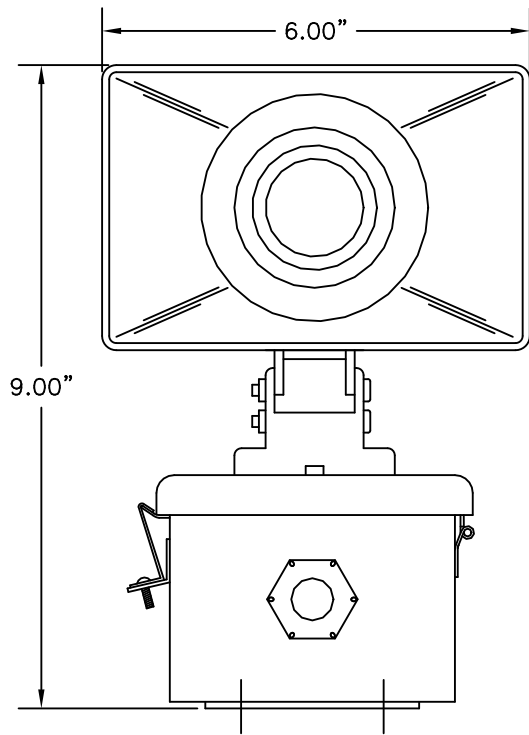
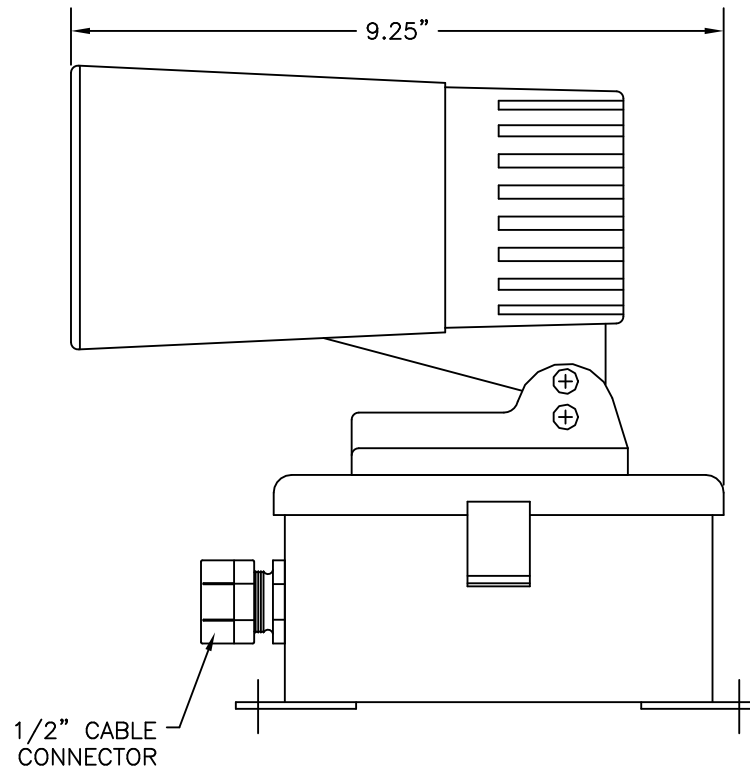


GENERAL NOTES

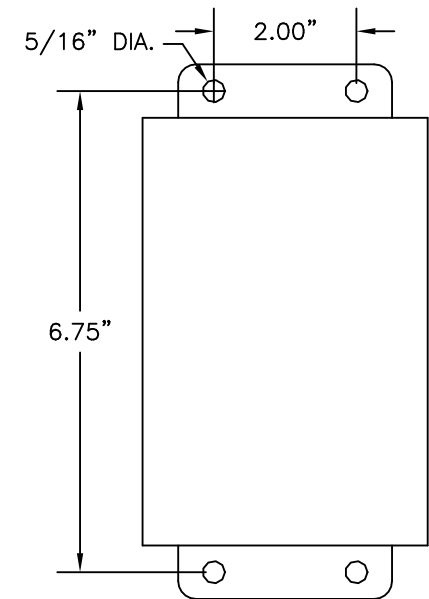
1. SIREN HOUSING IS WHITE PLASTIC AND WEATHERPROOF.
2. SIREN OPERATES ON 12-24VDC.
3. SPEAKER RATING IS 30 WATTS.
4. CURRENT DRAW IS 1.0A @ 12VDC.
5. SOUND DISPERSION ANGLE IS 100° X 180°.



FRONT VIEW



SIDE VIEW



MOUNTING PATTERN

**EMI**  
ENGINE MONITOR, INC.  
191 JAMES DRIVE WEST  
SAINT ROSE, LA 70087

PHONE: (504) 620-9800  
FAX: (504) 620-9801  
E-MAIL: [emonitor@emi-marine.com](mailto:emonitor@emi-marine.com)  
WEBSITE: [www.emi-marine.com](http://www.emi-marine.com)

SIREN

DWG:

46810

DATE: 6/30/00 SHEET 1 REV: - FILE: 46810

THIS DRAWING CONTAINS PROPRIETARY INFORMATION AND DESIGNS OWNED BY ENGINE MONITOR, INC. (E.M.I.). ALL DESIGNS, MANUFACTURING, REPRODUCTION, USE, PATENT RIGHT, AND SALES RIGHTS REGARDING THE SAME ARE EXPRESSLY RESERVED BY ENGINE MONITOR, INC.