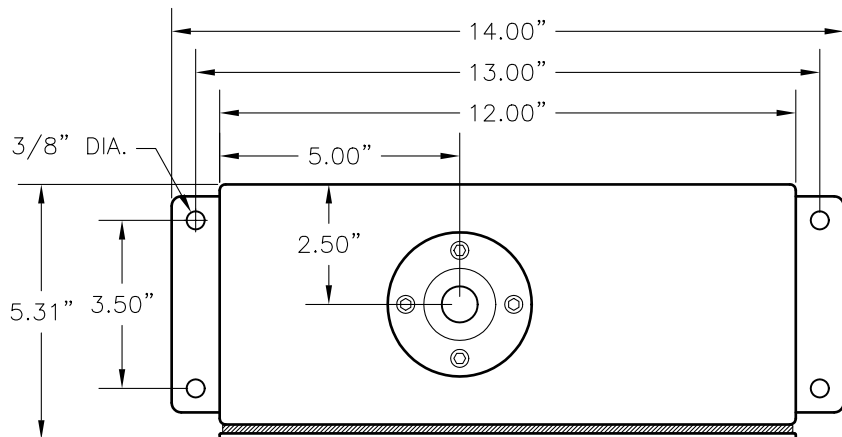
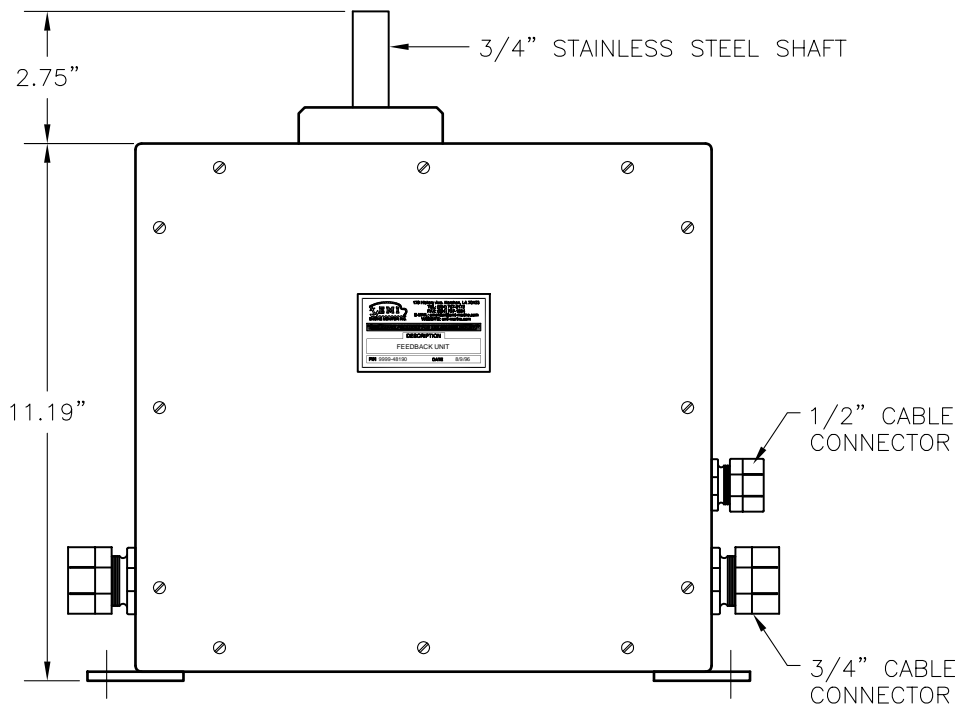


GENERAL NOTES

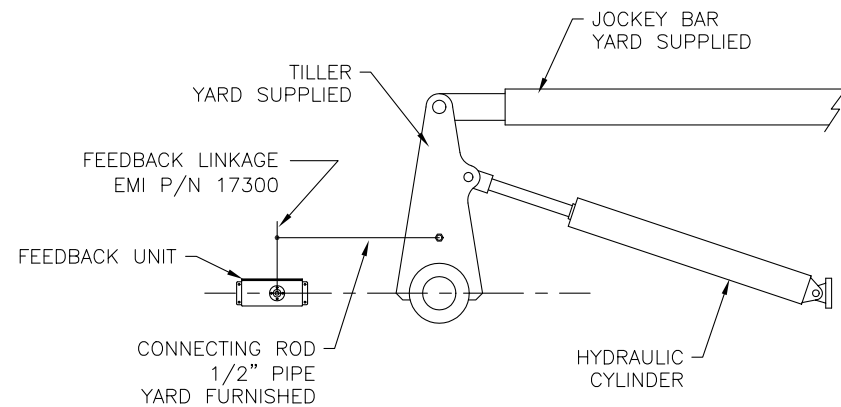
1. FEEDBACK UNIT IS MECHANICALLY LINKED TO THE RUDDER TILLER IN THE STEERING COMPARTMENT. THE LINKAGE MAY BE SUPPLIED BY EMI, P/N 17300.
2. A WATER PROOF VERSION OF THIS FEEDBACK UNIT IS AVAILABLE, P/N 48330.
3. UNIT USES A MULTI-LAYER POTENTIOMETER TO TRANSMIT THE RUDDER ANGLE AND LIMIT SWITCHES AT THE END OF THE RUDDER TRAVEL. PLEASE SPECIFY THE NUMBER OF LAYERS NEEDED ON THE POTENTIOMETER AND THE NUMBER LIMIT SWITCHES NEEDED WHEN ORDERING REPLACEMENT UNITS.
4. IF RUDDER ANGLE EXCEEDS 45° PLEASE SPECIFY WHEN ORDERING REPLACEMENT UNITS.



PLAN VIEW



FRONT VIEW



TYPICAL FEEDBACK ARRANGEMENT