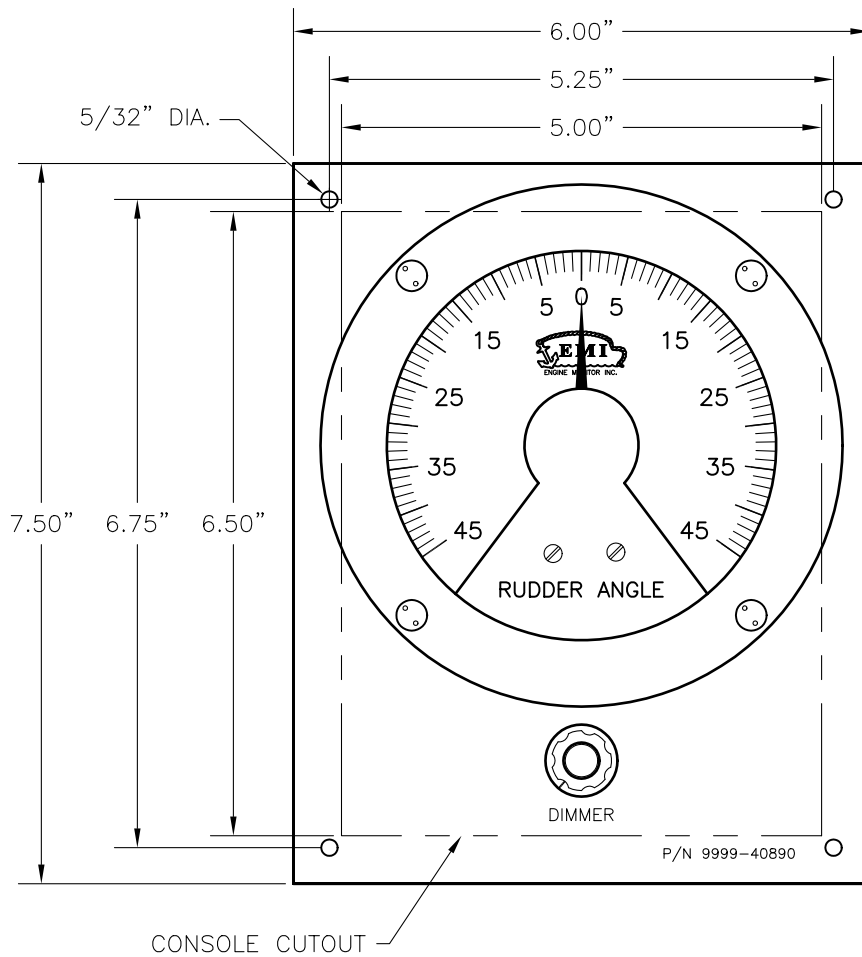
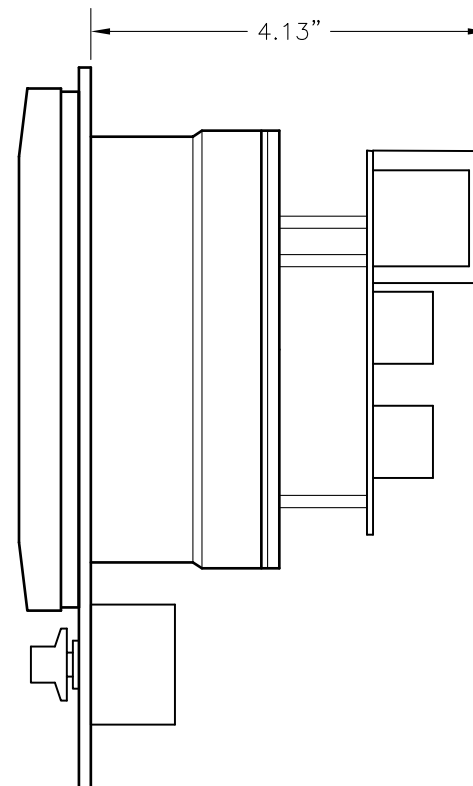


GENERAL NOTES

1. UNIT IS DIMABLE FOR PILOTHOUSE USE.
2. METER FACE MAY BE CONFIGURED TO SUIT ANY RUDDER ANGLE, STANDARD SCALE IS SHOWN.
3. UNIT REQUIRES 115VAC INPUT POWER AND A RUDDER FEEDBACK SIGNAL.



FRONT VIEW



SIDE VIEW