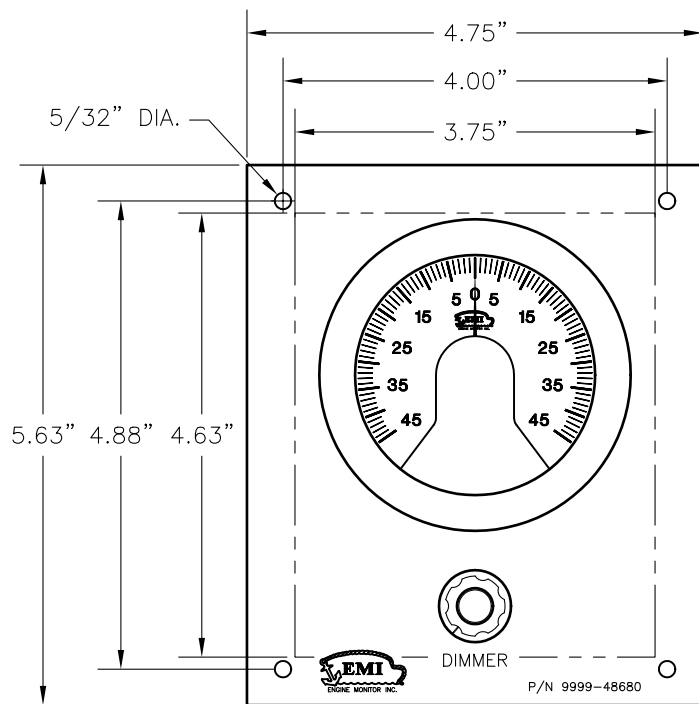
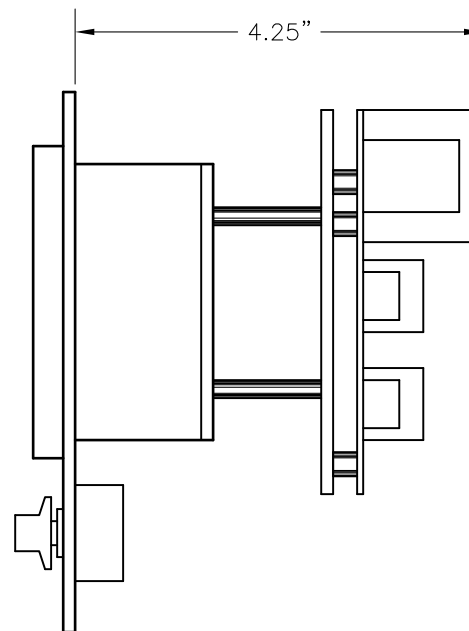


GENERAL NOTES

1. RUDDER ORDER INDICATOR IS USED WITH A FULL FOLLOW UP HELM UNIT, TYPICALLY WITH A HELM WHEEL.
2. UNIT IS DIMABLE FOR PILOTHOUSE USE.
3. METER FACE MAY BE CONFIGURED TO SUIT ANY RUDDER ANGLE, STANDARD SCALE IS SHOWN.
4. UNIT REQUIRES 115VAC INPUT POWER AND $\pm 250\mu$ HELM SIGNAL.



FRONT VIEW



SIDE VIEW