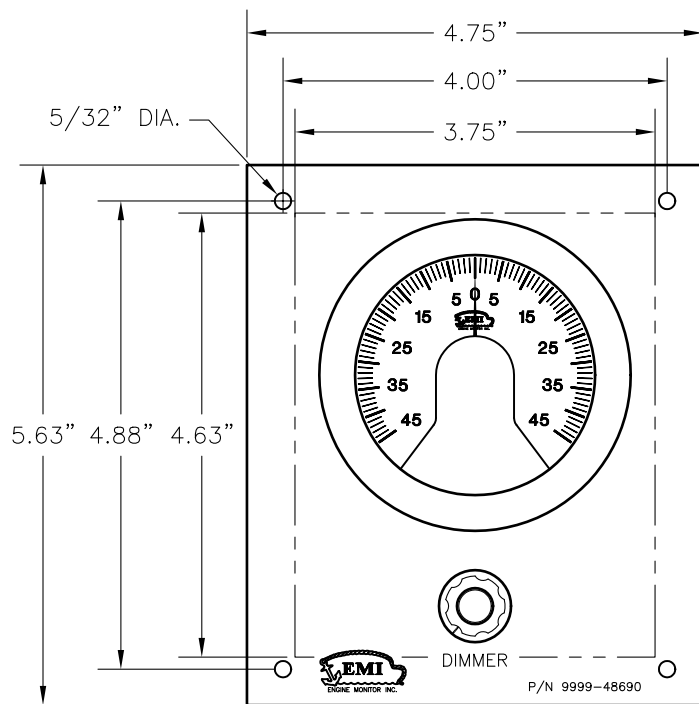
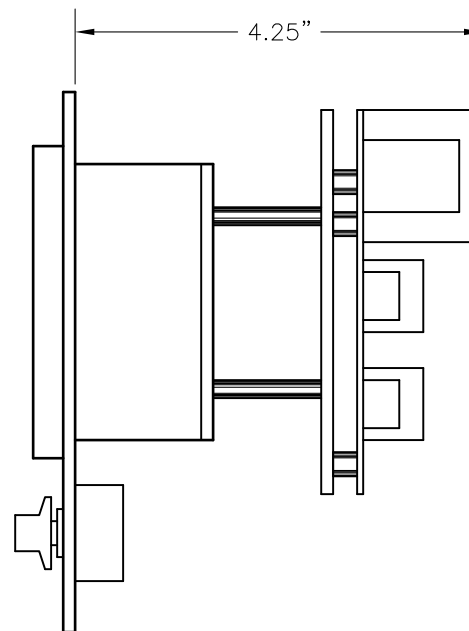


GENERAL NOTES

1. RUDDER ANGLE INDICATOR IS USED WITH A RUDDER FEEDBACK UNIT WHICH PRODUCES A FEEDBACK SIGNAL.
2. UNIT IS DIMABLE FOR PILOTHOUSE USE.
3. METER FACE MAY BE CONFIGURED TO SUIT ANY RUDDER ANGLE, STANDARD SCALE IS SHOWN.
4. UNIT REQUIRES 115VAC INPUT POWER AND $\pm 250\mu$ HELM SIGNAL.



FRONT VIEW



SIDE VIEW