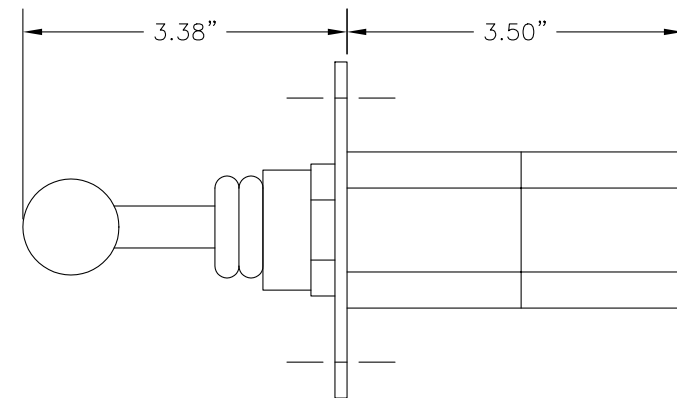


PLAN VIEW



SIDE VIEW