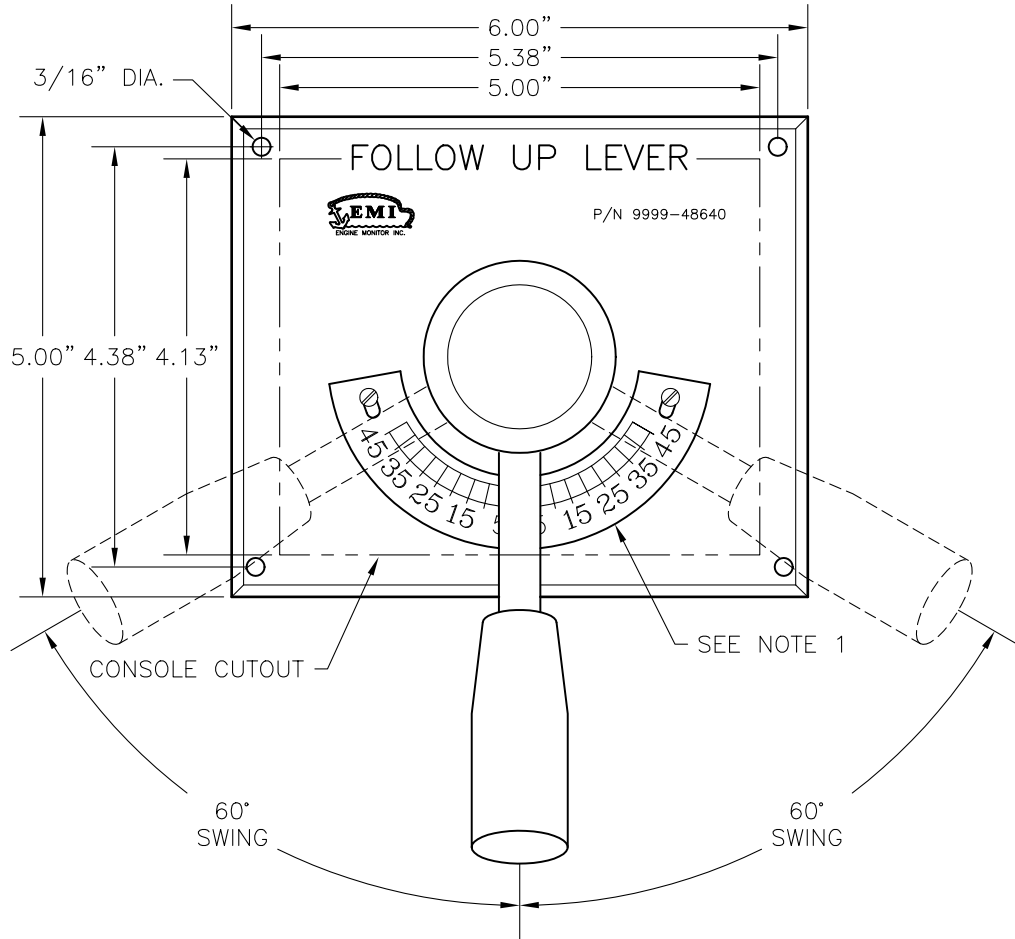
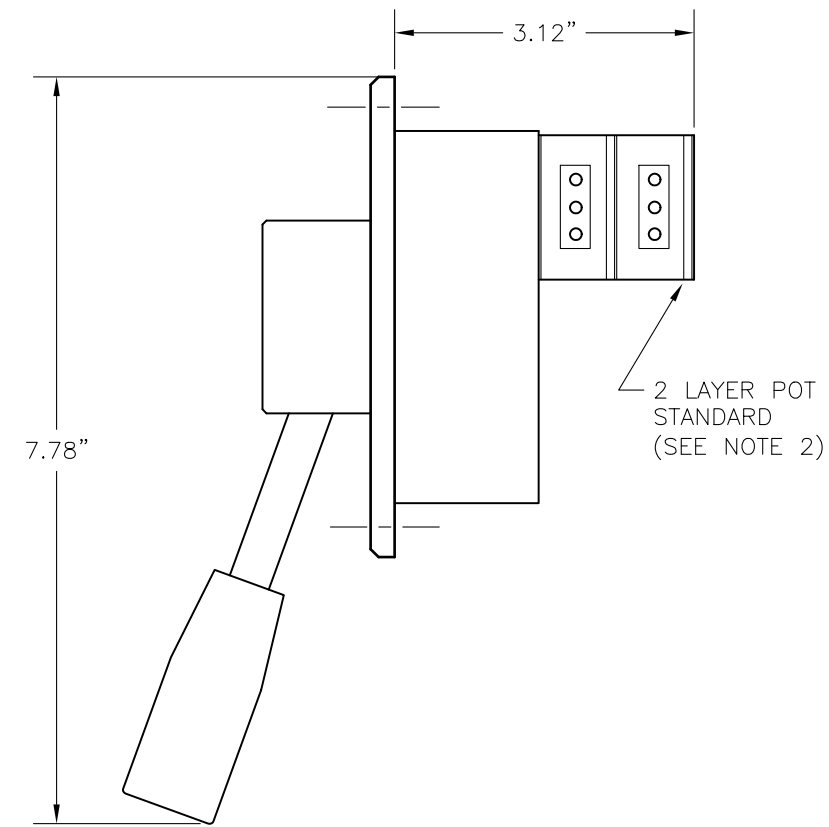


**GENERAL NOTES**

1. BRASS DIAL MAY BE CONFIGURED TO SUIT RUDDER TRAVEL OF ANY VESSEL; PLEASE SPECIFY WHEN ORDERING.
2. CLEARANCE DEPTH DEPENDS ON NUMBER OF LAYERS ON POTENTIOMETER, APPROX. 3/4" PER LAYER.
3. PLEASE SPECIFY NUMBER OF LAYERS NEEDED ON POTENTIOMETER WHEN ORDERING REPLACEMENT UNITS.



PLAN VIEW



SIDE VIEW

**EMI**  
ENGINE MONITOR, INC.  
179 HICKORY AVE.  
HARAHAN, LA 70123

PHONE: (504) 737-3172  
FAX: (504) 737-5576  
E-MAIL: [emonitor@emi-marine.com](mailto:emonitor@emi-marine.com)  
WEBSITE: [www.emi-marine.com](http://www.emi-marine.com)

**FULL FOLLOW-UP STEERING LEVER**

DWG: **48640**  
DATE: 6/30/00 SHEET 1 REV:-- FILE: 48640

THIS DRAWING CONTAINS PROPRIETARY INFORMATION AND DESIGNS OWNED BY ENGINE MONITOR, INC. (E.M.I.). ALL DESIGNS, MANUFACTURING, REPRODUCTION, USE, PATENT RIGHT, AND SALES RIGHTS REGARDING THE SAME ARE EXPRESSLY RESERVED BY ENGINE MONITOR, INC.