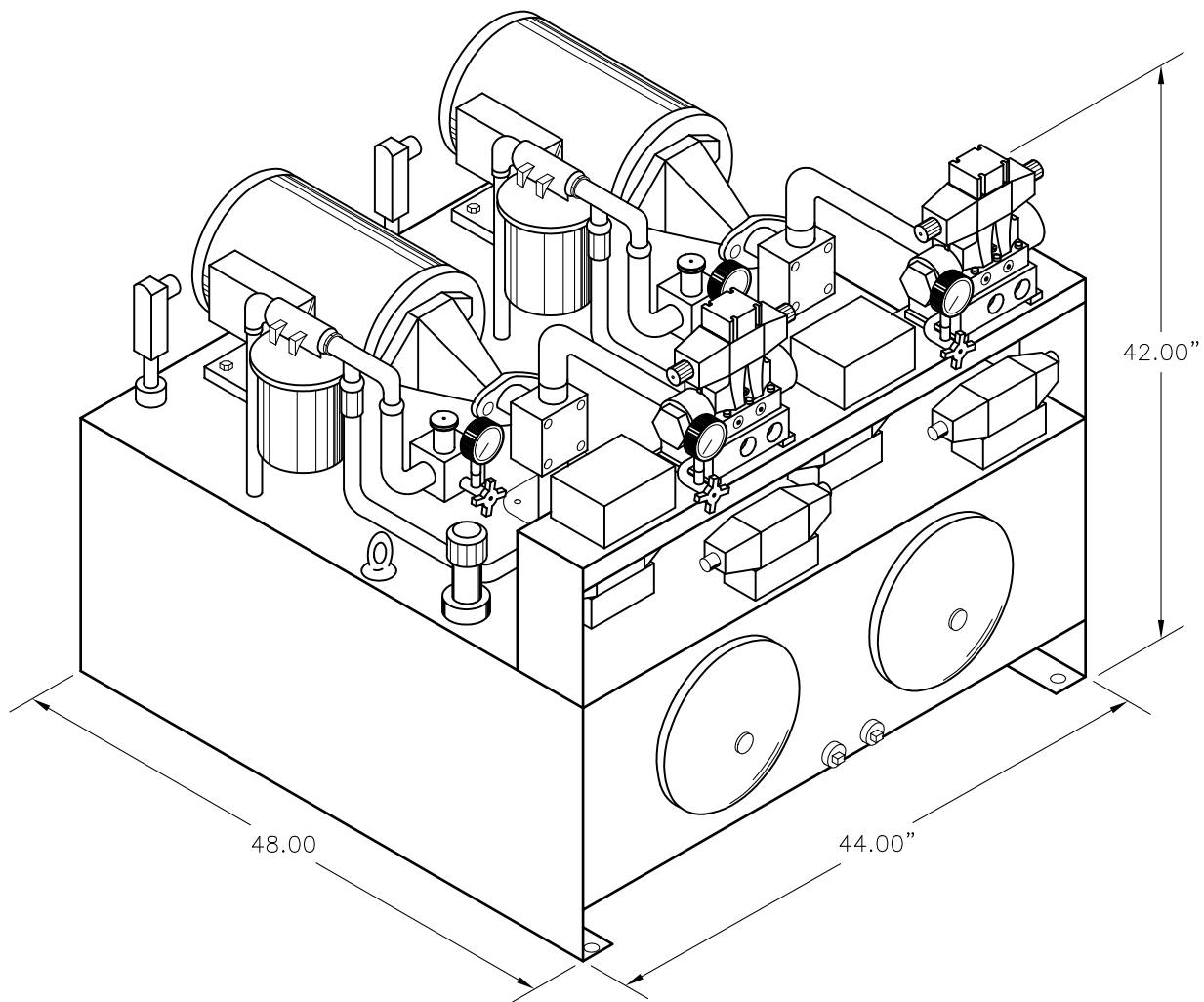


GENERAL NOTES

1. POWER UNIT SHOWN BELOW IS A DUAL 20 HP, 75 GALLON UNIT. SIZE OF UNIT MAY VARY DEPENDING SIZE OF VESSEL AND REQUIREMENTS NEEDED.
2. THIS UNIT IS TYPICALLY USED FOR STEERING SYSTEMS WITH LINKED MAIN AND INDEPENDENT FLANKING RUDDERS.



48.00

44.00"

42.00"

**EMI**  
ENGINE MONITOR, INC.  
179 HICKORY AVE.  
HARAHAN, LA 70123

PHONE: (504) 737-3172  
FAX: (504) 737-5576  
E-MAIL: [emonitor@emi-marine.com](mailto:emonitor@emi-marine.com)  
WEBSITE: [www.emi-marine.com](http://www.emi-marine.com)

TYPICAL 6 VALVE HYDRAULIC POWER UNIT

DWG:

TYP-6VLV-HPU

DATE: 6/30/00 SHEET 1 REV: - FILE: TYP-6VLV-HPU

THIS DRAWING CONTAINS PROPRIETARY INFORMATION AND DESIGNS OWNED BY ENGINE MONITOR, INC. (E.M.I.). ALL DESIGNS, MANUFACTURING, REPRODUCTION, USE, PATENT RIGHT, AND SALES RIGHTS REGARDING THE SAME ARE EXPRESSLY RESERVED BY ENGINE MONITOR, INC.