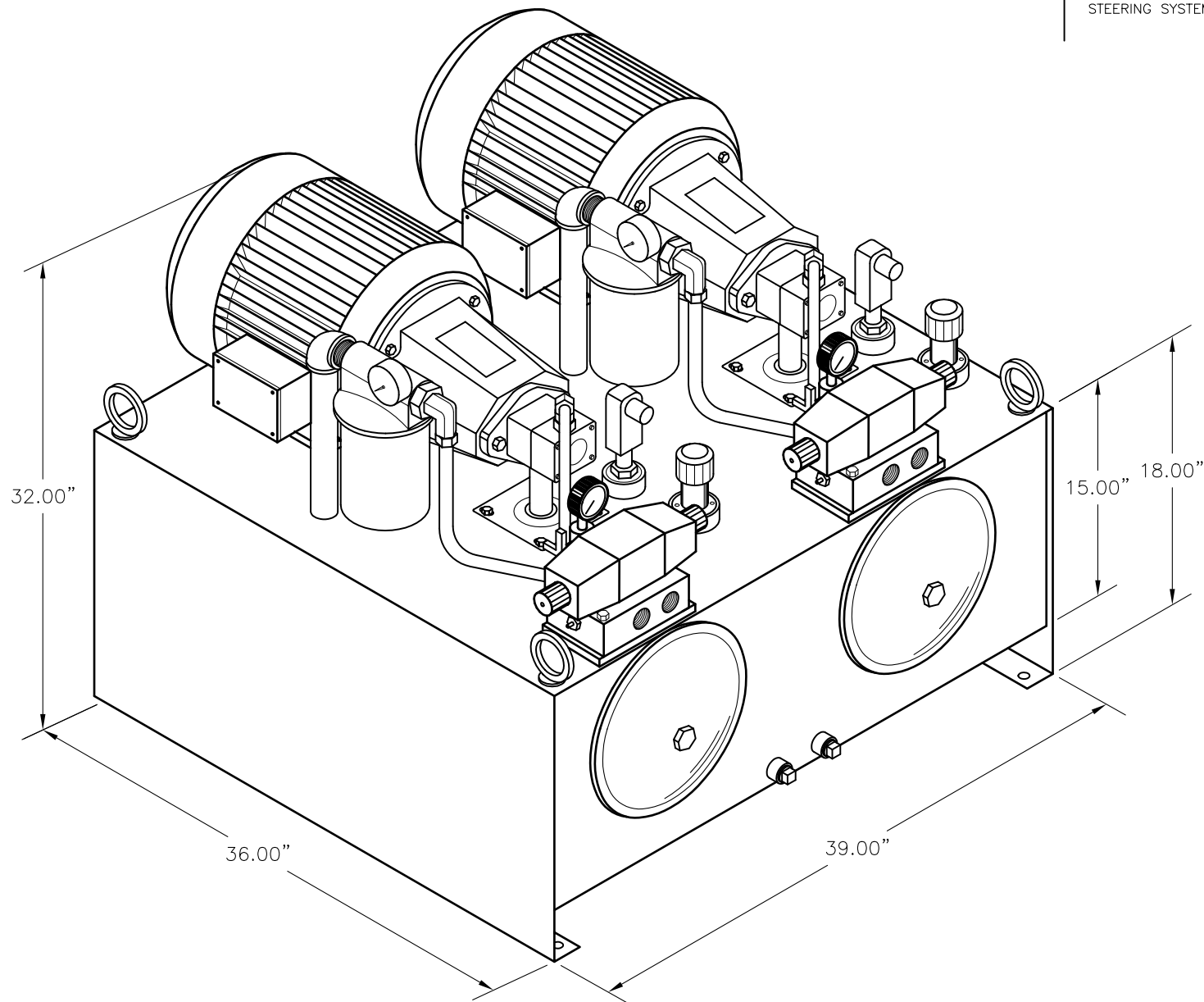


GENERAL NOTES

1. POWER UNIT SHOWN BELOW IS A DUAL 10 HP, 35 GALLON UNIT. SIZE OF UNIT MAY VARY DEPENDING ON SIZE OF VESSEL AND REQUIREMENTS NEEDED.
2. THIS UNIT IS TYPICALLY USED FOR LINKED RUDDER STEERING SYSTEMS.



EMI
ENGINE MONITOR, INC.
179 HICKORY AVE.
HARAHAN, LA 70123

PHONE: (504) 737-3172
FAX: (504) 737-5576
E-MAIL: emonitor@emi-marine.com
WEBSITE: www.emi-marine.com

TYPICAL 2 VALVE HYDRAULIC POWER UNIT

DWG:

TYP-2VLV-HPU

DATE: 6/30/00 SHEET 1 REV: - FILE: TYP-2VLV-HPU

THIS DRAWING CONTAINS PROPRIETARY INFORMATION AND DESIGNS OWNED BY ENGINE MONITOR, INC. (E.M.I.). ALL DESIGNS, MANUFACTURING, REPRODUCTION, USE, PATENT RIGHT, AND SALES RIGHTS REGARDING THE SAME ARE EXPRESSLY RESERVED BY ENGINE MONITOR, INC.