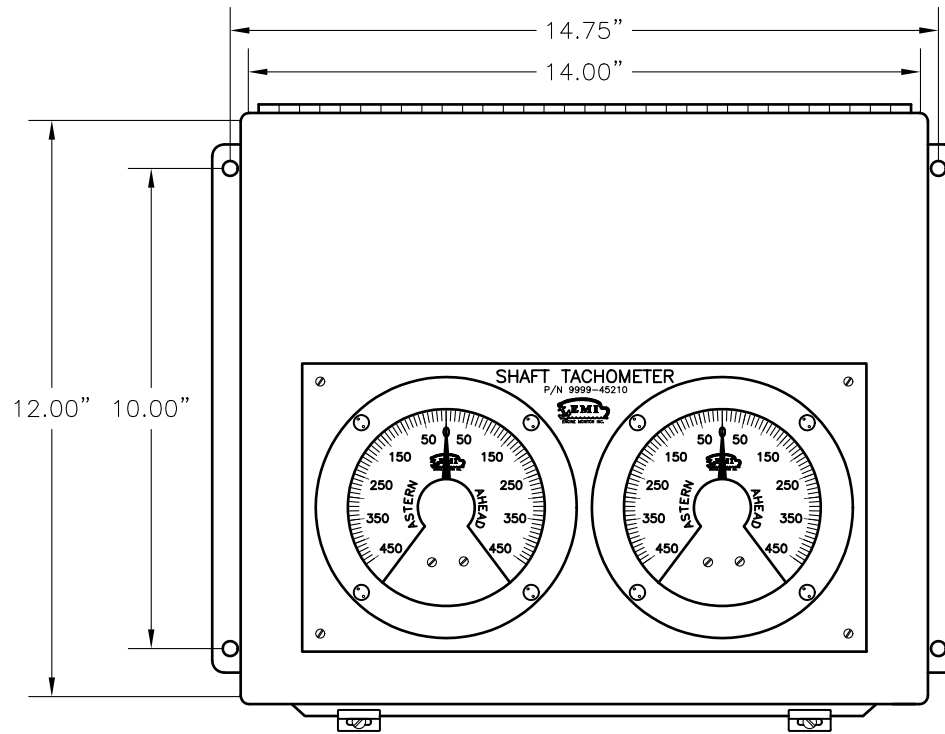
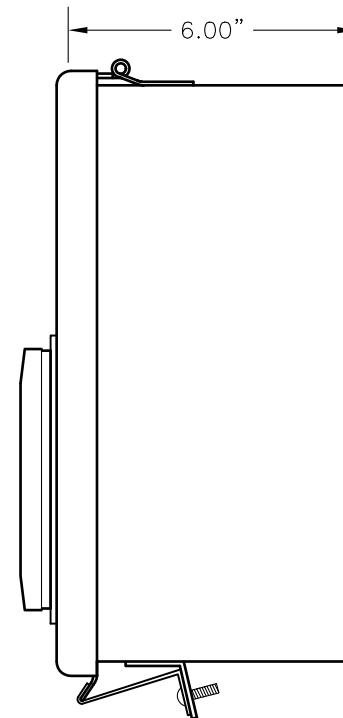


GENERAL NOTES

1. TACHOMETER FACE MAY BE CONFIGURED TO SUIT ANY SHAFT RPM RANGE. STANDARD SCALE IS SHOWN.
2. PANEL IS DESIGNED FOR 115VAC INPUT.
3. PLEASE SPECIFY SHAFT RPM RANGE WHEN ORDERING.
4. PANEL MEETS NEMA 12 & 13, NOT DESIGNED TO BE DIRECTLY HOSED OR MOUNTED OUTDOORS.



FRONT VIEW



SIDE VIEW