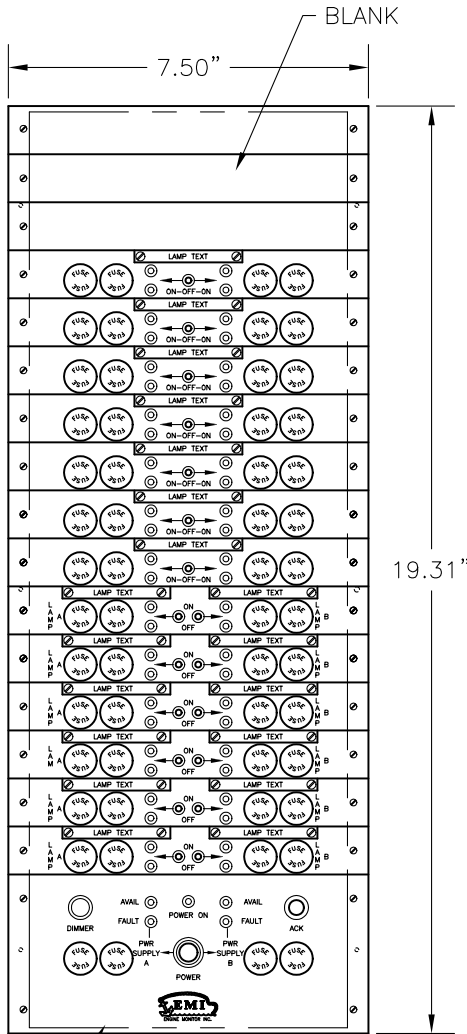
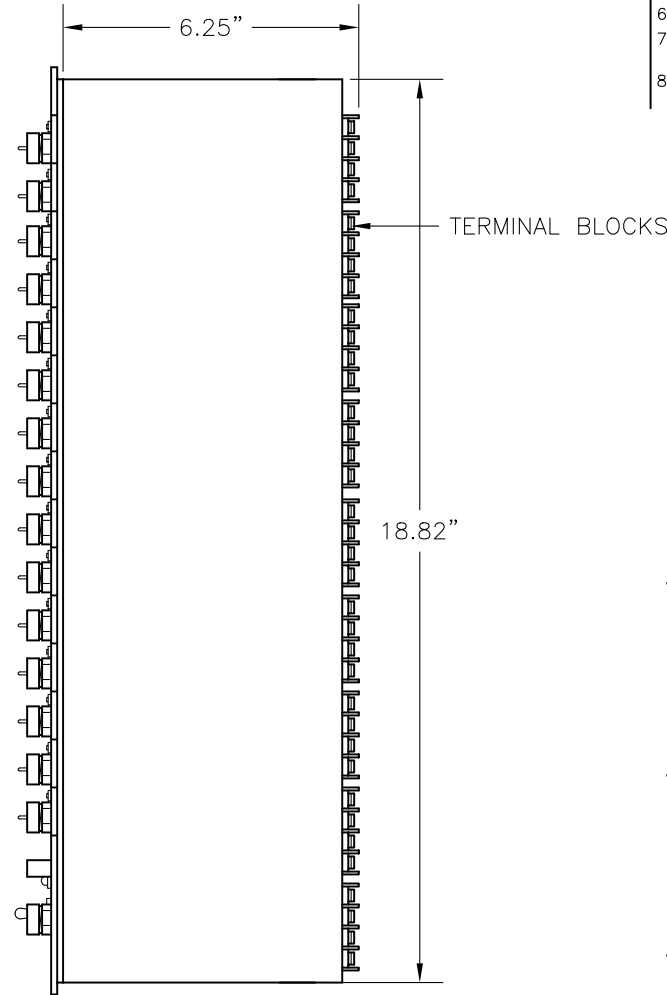


**GENERAL NOTES**

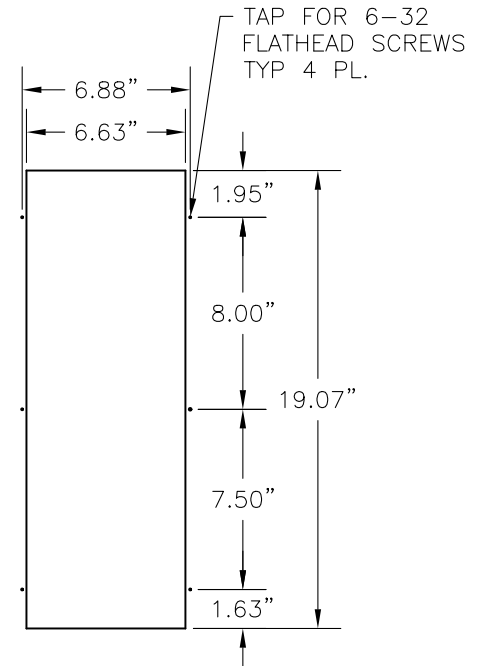
1. PANEL MAY BE CONFIGURED FOR 115VAC OR 230VAC INPUT POWER.
2. PANEL MAY CONTROL SINGLE AND/OR DUAL LAMPS. PANEL MAY BE CONFIGURED FOR ANY COMBINATOR OF SINGLE AND DUAL LAMPS UP TO NINE STATIONS.
3. PANEL MAY BE ORDERED WITH A SINGLE OR DUAL POWER SUPPLY.
4. PANEL HAS DIMABLE POWER AND ALARM INDICATORS AND ALARM AUDIBLE.
5. PLEASE SPECIFY TEXT FOR EACH LAMP STATION FOR LABELING OF CONTROL MODULES.
6. A NINE STATION PANEL IS ALSO AVAILABLE.
7. A CUSTOM ENCLOSURE IS AVAILABLE FOR BULKHEAD MOUNTING OF PANEL. PLEASE REQUEST IF NEEDED.
8. PANEL SHOWN HAS A DUAL POWER SUPPLY AND WILL CONTROL SEVEN SINGLE AND SIX DUAL LAMP STATIONS.



PLAN VIEW



SIDE VIEW



PANEL CUTOUT

PANEL CUTOUT