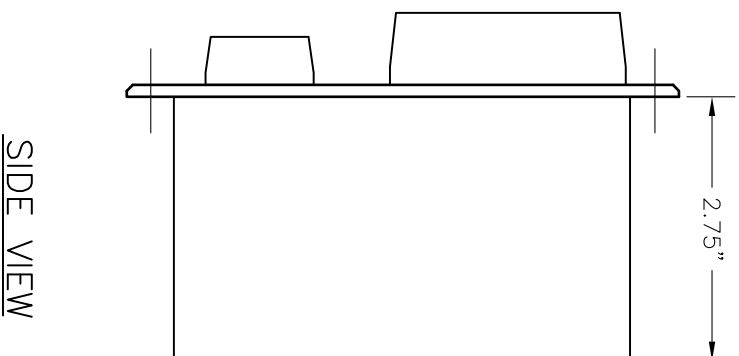
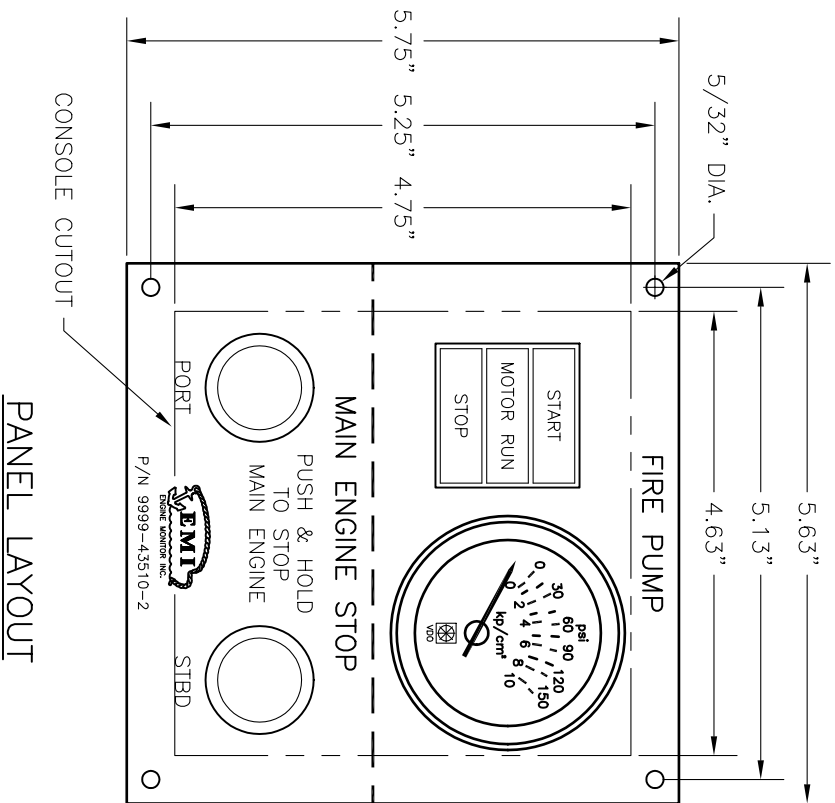


GENERAL NOTES

1. PANEL MAY BE CONFIGURED FOR 12VDC OR 24VDC, PLEASE SPECIFY WHEN ORDERING.
2. PANEL MAY BE CONFIGURED TO MONITOR 150 PSI OR 350 PSI IN FIRE MAIN.
3. PRESSURE SENDER IS SUPPLIED WITH PANEL AND IS TO BE MOUNTED IN FIRE MAIN NO MORE THAN 125 FEET FROM PANEL.



PANEL LAYOUT

SIDE VIEW

EMIT
ENGINE MONITOR, INC.
179 HICKORY AVE.
HARRAHAN, LA 70123

PHONE: (504) 737-3172
FAX: (504) 737-5576
E-MAIL: emonito@eml-marine.com
WEBSITE: www.eml-marine.com

**FIRE PUMP CONTROL PANEL
WITH MAIN ENGINE STOPS**

DMG:

43510

DATE: 6/30/00 SHEET 1 REV: - FILE: 43510

THIS DRAWING CONTAINS PROPRIETARY INFORMATION AND DESIGNS OWNED BY ENGINE MONITOR, INC. (E.M.I.). ALL DESIGNS, MANUFACTURING, REPRODUCTION, USE, PATENT RIGHT AND SALES RIGHTS REGARDING THE SAME ARE EXPRESSLY RESERVED BY ENGINE MONITOR, INC.

This document was created with Win2PDF available at <http://www.daneprairie.com>.
The unregistered version of Win2PDF is for evaluation or non-commercial use only.